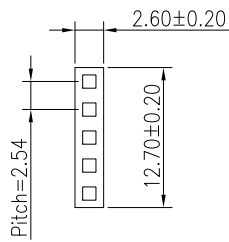
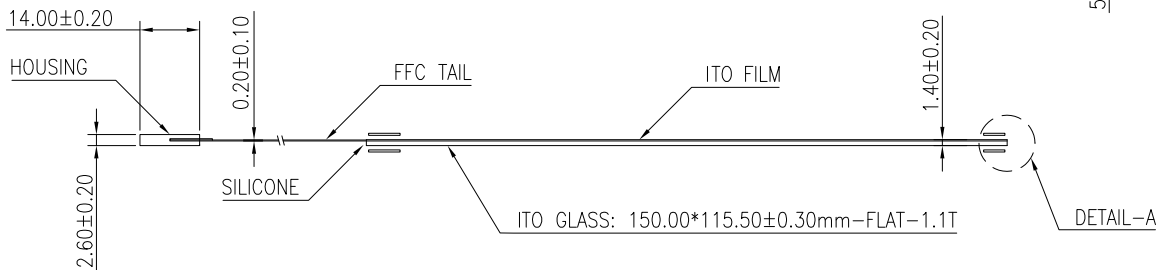
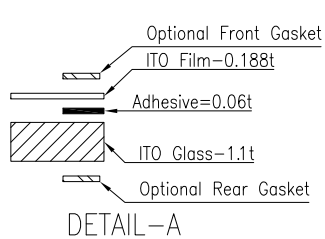
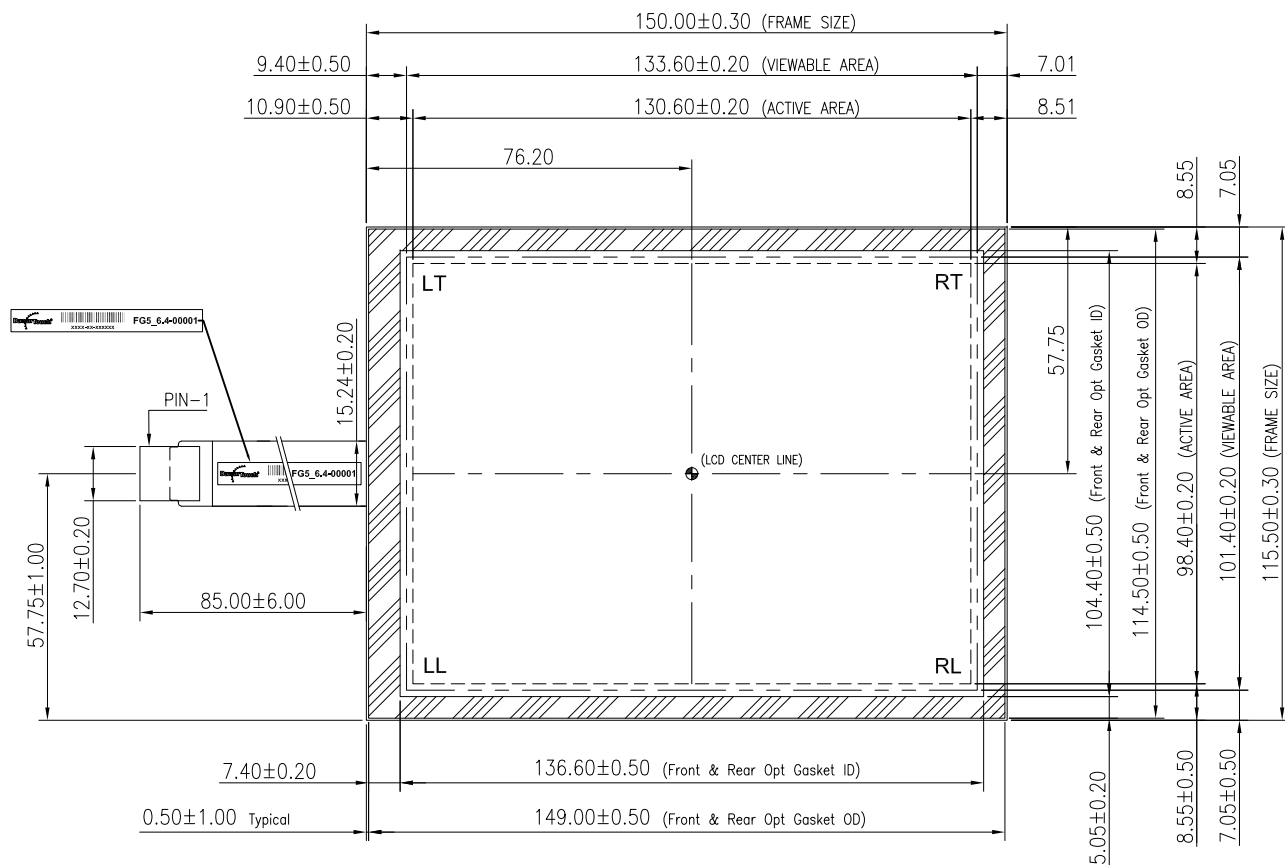
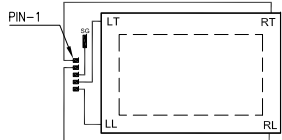


REVISIONS			
REV	DESCRIPTION	DATE	NAME
A	Changed manufacturing number.	3-6-09	AMH



HOUSING

CONNECTOR PINOUT	
PIN NO.	DESIGNATION
1	RT
2	RL
3	SG
4	LT
5	LL



1016 North Lincoln Avenue - Pittsburgh, PA 15233-2302
 1.800.366.1904 • 412.322.9900 • Fax: 412.322.9958
 e-mail: sales@sawar.com • www.dawar.com

THIS DOCUMENT IS THE PROPERTY OF DAWAR TECHNOLOGIES, INC. AND SHALL NOT BE COPIED, REPRODUCED, DISCLOSED, AND/OR USED AS THE BASIS FOR MANUFACTURING OR SALE WITHOUT PERMISSION OF A DULY AUTHORIZED REPRESENTATIVE OF DAWAR TECHNOLOGIES, INC.

CUSTOMER NAME	UNIT	DAWAR P/N	REV
Standard product offering	mm	FG5_6.4-00001	A
CUSTOMER P/N	REV	DRAWN BY	DATE
		Tony Housos	3-6-09
DESCRIPTION	SHEET		
6.4" 5-Wire Resistive Touch Screen	1 OF 1		