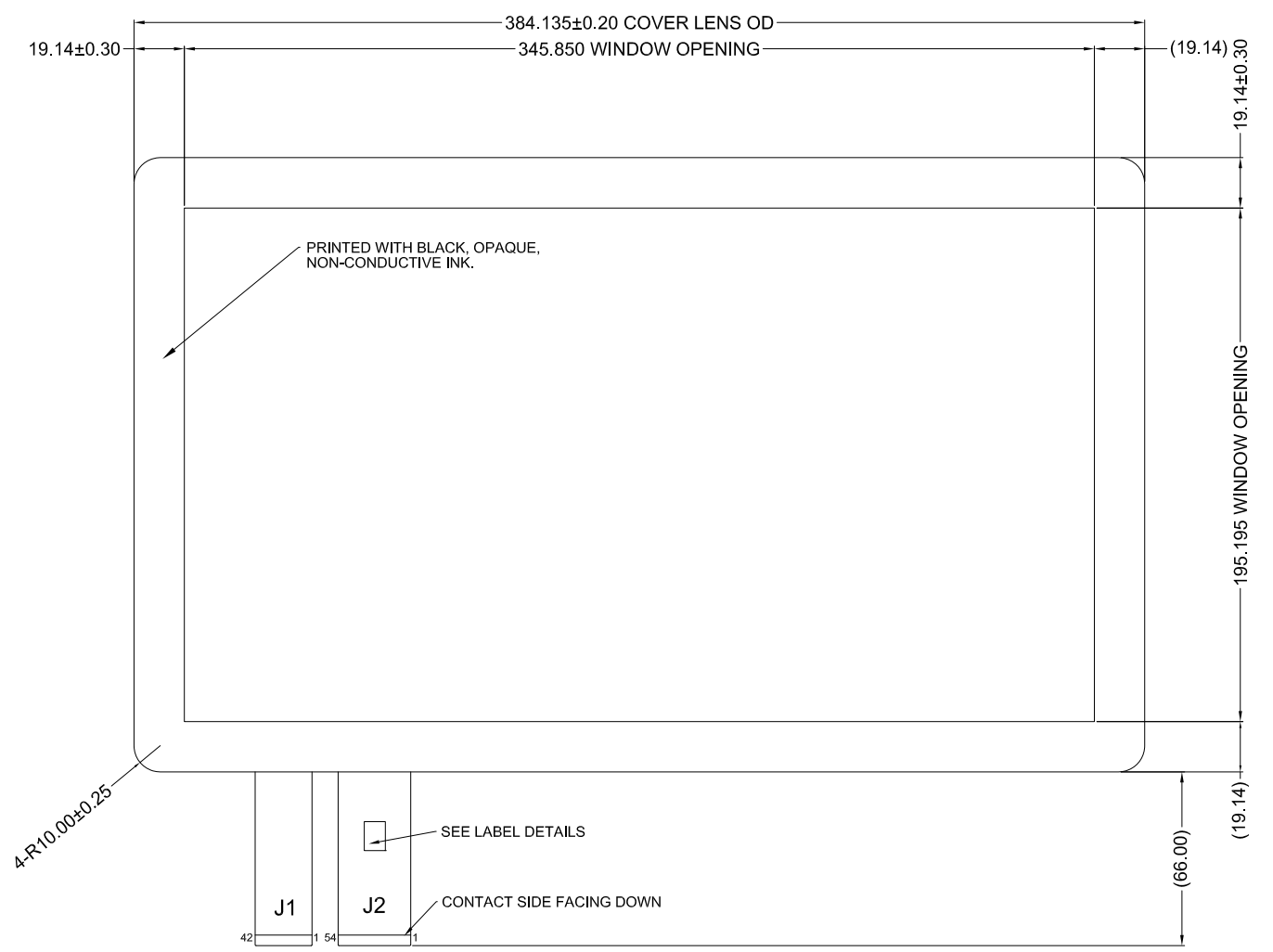


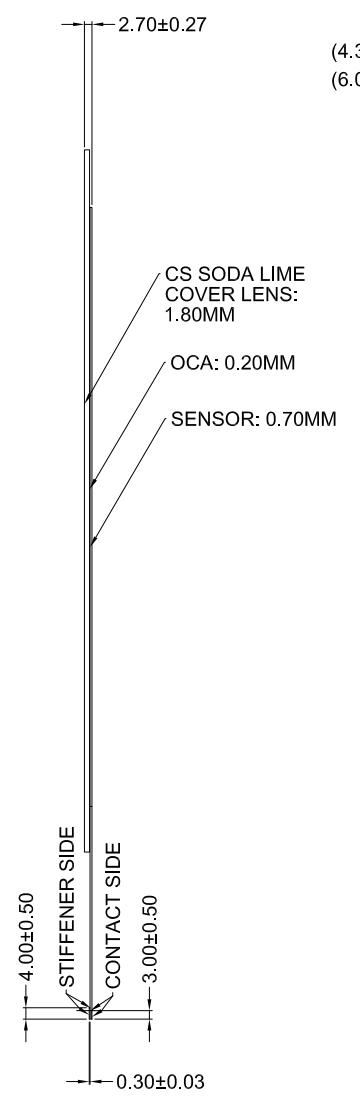


REVISIONS					DWN	DATE
ITEM REV	DWG REV	ECO	DESCRIPTION			
A	1	-	INITIAL RELEASE.		HYC	03-01-18
A	2	-	PREPARED FOR WEBSITE RELEASE.		CPO	01-30-19
A	3	-	CORRECTED PIN# LABELS ON TAILS		EMK	04-16-19

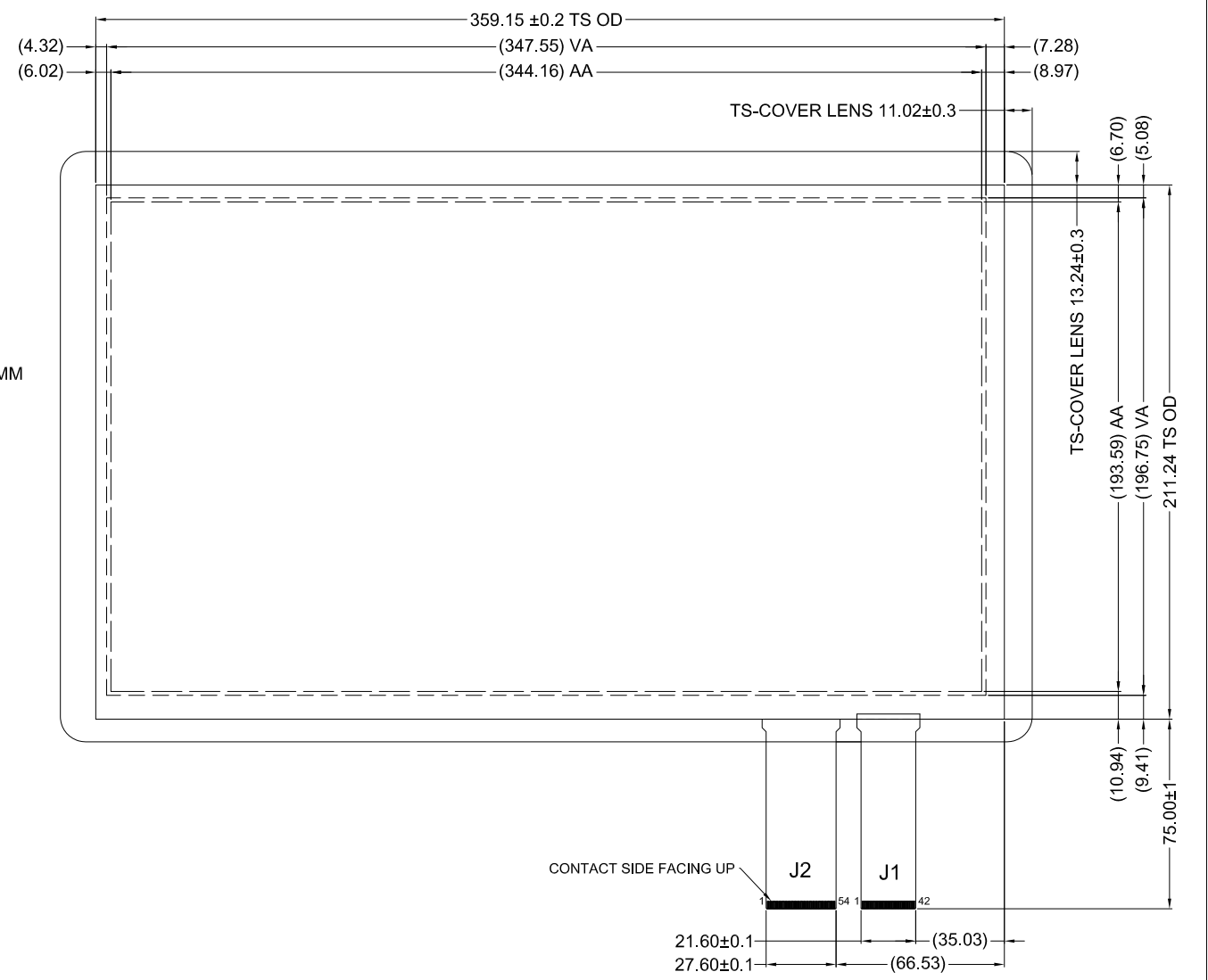
FRONT VIEW



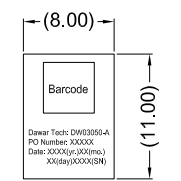
SIDE VIEW



REAR VIEW



LABEL DETAILS 4:1



- NOTES:**
1. TAIL TYPE: GOLD PLATED FPC
 2. ALL MATERIALS ARE ROHS COMPLIANT.
 3. SENSOR SPECIFICATIONS PER QAD 19-1 (CURRENT REVISION).
 4. DIMENSIONS IN PARENTHESIS ARE FOR REFERENCE ONLY.
 5. FOR USE WITH 42 x 54 MICROCHIP (ATMEL) CONTROLLER.
 6. TOUCH SENSOR:
0.70MM GLASS WITH DOUBLE-SIDED INDEX MATCHED ITO.
 7. COVER LENS:
- 1.80MM CHEMICALLY STRENGTHENED SODA LIME GLASS
- DOUBLE ROUND PENCIL GROUND EDGE
- PANTONE BLACK

1016 North Lincoln Avenue, Pittsburgh, PA 15233
 1.800.366.1904 - 412.322.9900 - Fax: 412.322.9958
 e-mail: sales@dawar.com - www.dawar.com

THIS CONFIDENTIAL DOCUMENT IS THE PROPERTY OF DAWAR TECHNOLOGIES, INC. AND SHALL NOT BE COPIED, REPRODUCED, DISCLOSED, AND/OR USED AS THE BASIS FOR MANUFACTURING OR SALE WITHOUT PERMISSION OF A DULY AUTHORIZED REPRESENTATIVE OF DAWAR TECHNOLOGIES, INC.

ITEM/DRAWING NO. DW03050-A				DWG REV 3
UNIT MM [INCH]	TOLERANCE ±0.25 [0.010] UNLESS SPECIFIED	SHEET 1 OF 1	DRAWN BY HYC	DATE 03-01-18
DESCRIPTION 15.6" GG2 PROJECTED CAPACITIVE TOUCH SENSOR				