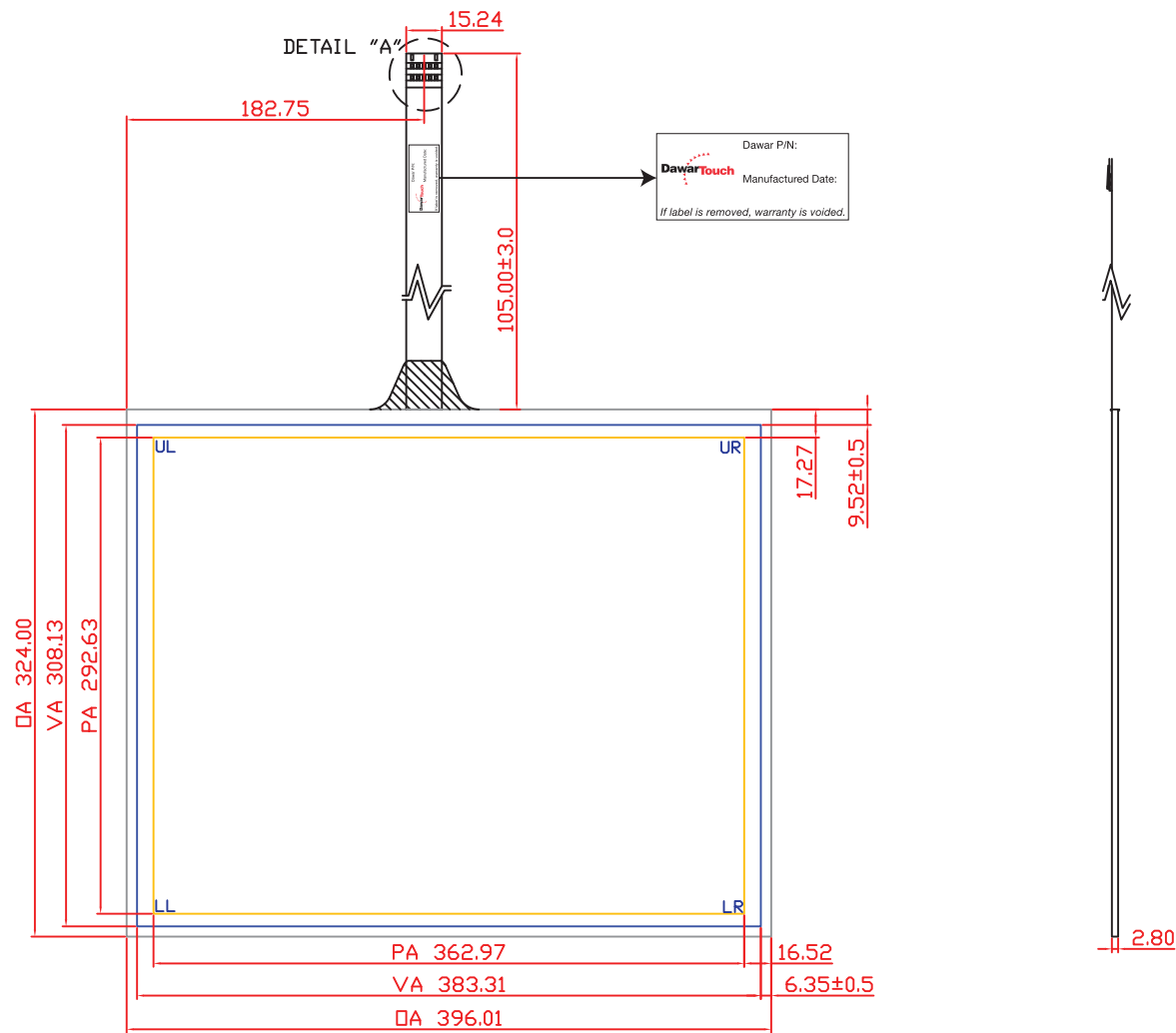
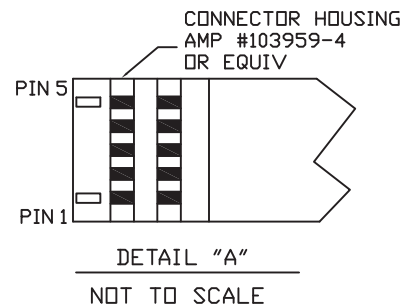


REVISIONS			
REV	DESCRIPTION	DATE	NAME



Notes:  
The tail is FPC.

CONNECTOR PINOUT	
PIN #	DESIGNATION
1	LL
2	UL
3	SHIELD
4	UR
5	LR

1020 Ridge Avenue • Pittsburgh, PA 15233  
1.800.366.1904 • 412.322.9900 • Fax: 412.322.9958  
e-mail: sales@dawar.com • www.dawar.com

THIS DOCUMENT IS THE PROPERTY OF DAWAR TECHNOLOGIES, INC. AND SHALL NOT BE COPIED, REPRODUCED, DISCLOSED, AND/OR USED AS THE BASIS FOR MANUFACTURING OR SALE WITHOUT PERMISSION OF A DULY AUTHORIZED REPRESENTATIVE OF DAWAR TECHNOLOGIES, INC.

CUSTOMER NAME	UNIT mm	DAWAR P/N SCP_19.4-00001	REV
CUSTOMER P/N:	DATE 07-24-07	DAWAR MODEL NO. DT08-194-3.0-S-AGH-W5C	REV 00
DESCRIPTION 19.4" 5-Wire Capacitive Touch Screen	SHEET 1 OF 1	MANUFACTURING NO. F1-19412APA-NO	REV