

Capacitive Controller Data Sheet

Hardware Specifications

Circuit Board Dimensions	62mm x 33mm (2.445 inches x 1.299 inches)
Power Requirements	D.C. +5V (maximum 75mA, 50mV peak to peak maximum ripple and noise)
Operating Temperature	0°C to 70°C
Storage Temperature	-40°C to 80°C
Relative Humidity	95% to 60°C
Interface	Bi-directional RS-232 serial communication USB: 2.0 compliant
Protocol	No parity, 8 data bits, 1 stop bit, 9600 baud (N, 8, 1, 9600)
Resolution	2048 x 2048
Report Rate	RS232: Max. 166 points/sec USB: Max. 250 points/sec
Attached Cable	RS232: 6' shielded cable with 9-pin USB: 6' shielded cable with A type connector for USB Y converter cable
Regulatory Approvals	FCC-B, CE
EMI	Unaffected by environmental EMI
Pin Out Definition	UL, UR, COM, LR, LL

Software Features

Calibration	Fast full orientation 4 points position
Compensation	1. Accuracy 25 points linearity compensation 2. Edge compensation
Draw Test	Position and linearity verification
Controller Setting	-40°C to 80°C
Relative Humidity	1. Support multiple controllers 2. Dynamical add/remove controllers 3. Change controller interface without reboot
Languages	Support 10 languages for Windows
Mouse Emulator	1. Right/left button emulation 2. Click/drawing mode
Sound Notification	1. No sound 2. Touch down 3. Touch up
Double Click	1. Configurable double click speed 2. Configurable double click area
OS Support	1. Windows 95/98/ME/NT4/2000/XP/XP Tablet PC edition/Embedded XP 2. Windows CE 2.12/3.0/.net/5.0 3. Linux RedHat/Fedora/Mandrake/SuSe/YellowDog/Debian/Ubuntu 4. MS-DOS 5. iMAC 9.0/OS X
COM Port Support	1. Support COM1 ~ COM256 for Windows and Linux 2. Support COM1 ~ COM8 for DOS

DAWAR Technologies, Inc. 1020 Ridge Avenue, Pittsburgh, PA 15233
1-800-366-1904 / 412-322-9900 / FAX: 412-322-9958
sales@dawar.com / www.dawar.com

Date: 11.23.2006 / Rev C0.1.0

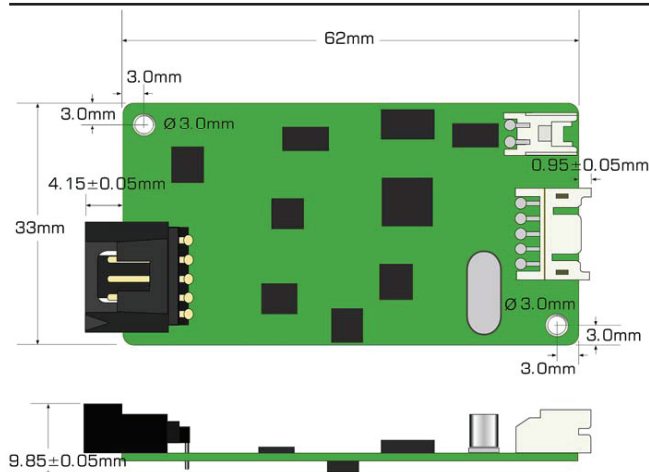
DAWAR
technologies

Certified to ISO 9001:2000

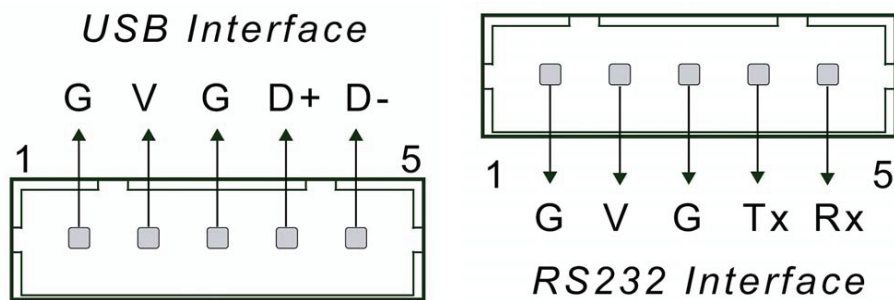
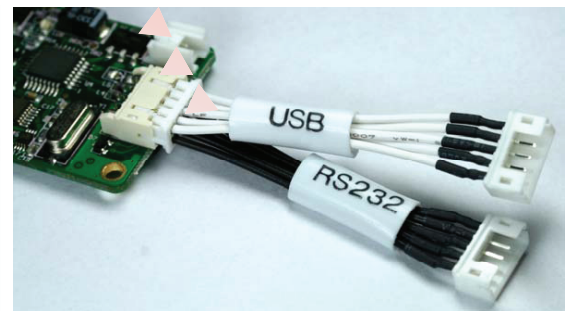
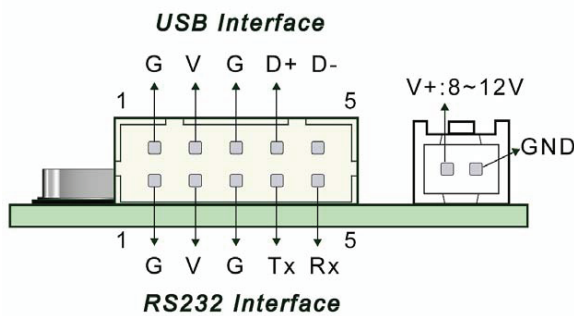
**For more detailed information about the full line of DawarTouch® products go to
www.dawar.com or call us at 1-800-366-1904.**

Capacitive Controller Data Sheet

Controller:



Controller Pin Assignment:



DAWAR Technologies, Inc. 1020 Ridge Avenue, Pittsburgh, PA 15233
 1-800-366-1904 / 412-322-9900 / FAX: 412-322-9958
 sales@dawar.com / www.dawar.com

Date: 11.23.2006 / Rev C0.1.0

DAWAR
 technologies

Certified to ISO 9001:2000

For more detailed information about the full line of DawarTouch[®] products go to www.dawar.com or call us at 1-800-366-1904.